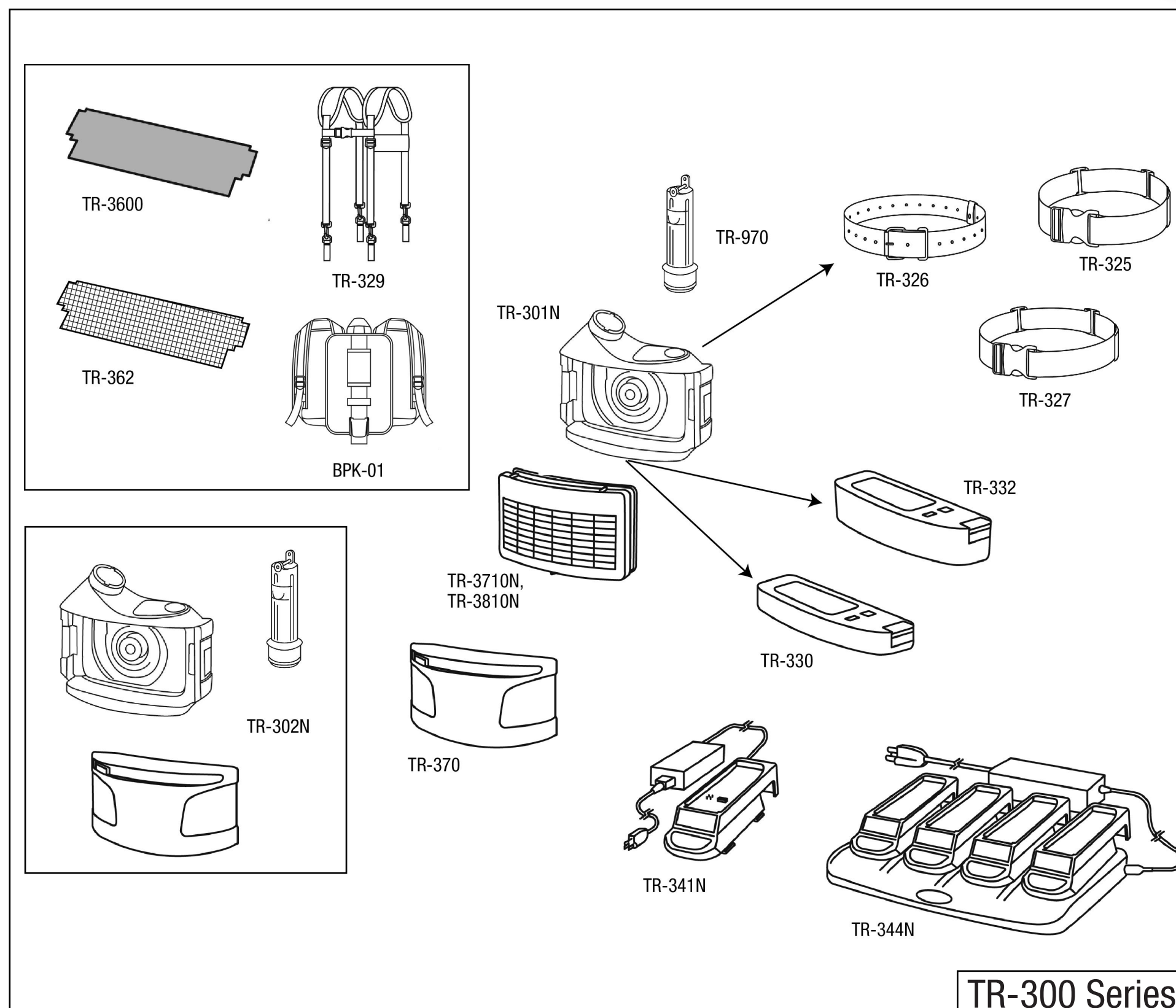


3M™ Versaflo™ TR-300 Series Parts and Accessories



If you discover any signs of wear and/or damage, remove from use and service or replace as appropriate. See the TR-300 User Instructions for details on inspection and replacement.

3M™ Versaflo™ Powered Air Purifying Respirator Parts and Components

Part Number	General Description	Detailed Description	Replace when maximum life is reached or when/if:
TR-300 Series Assemblies			
TR-302N	PAPR Unit	PAPR Assembly: includes blower unit (TR-301N), flow indicator (TR-970), filter cover (TR-370)	
TR-304N	PAPR Unit	PAPR Assembly: includes blower unit (TR-301N), flow indicator (TR-970), filter cover (TR-370), HE filter (TR-3710N), Easy clean belt (TR-327), economy battery (TR-330), and Prefilter (TR-3600)	
TR-305N	PAPR Unit	PAPR Assembly: includes blower unit (TR-301N), flow indicator (TR-970), filter cover (TR-370), HE filter (TR-3710N), standard web belt (TR-325), economy battery (TR-330), Prefilter (TR-3600), and single unit charger kit (TR-341N)	
TR-306N	PAPR Unit	PAPR Assembly: includes blower unit (TR-301N), flow indicator (TR-970), filter cover (TR-370), HE filter (TR-3710N), High durability leather belt (TR-326), High capacity battery (TR-332), Spark arrester/Prefilter (TR-362), and single unit charger kit (TR-341N)	
TR-307N	PAPR Unit	PAPR Assembly: includes blower unit (TR-301N), flow indicator (TR-970), filter cover (TR-370), HE filter (TR-3710N), Easy clean belt (TR-327), High capacity battery (TR-332), Prefilter (TR-3600), and single unit charger kit (TR-341N)	
Component Parts (* denotes alternative(s) available)			
TR-301N	Blower	Replacement Blower for Versaflo™ TR-300	damaged or unable to resolve alarms
TR-325	Belt*	Standard web belt for Versaflo™ TR-300 PAPR	damaged
TR-326	Belt*	Easy clean urethane belt for Versaflo™ TR-300 PAPR	damaged
TR-327	Belt*	High durability leather belt for Versaflo™ TR-300 PAPR	damaged
TR-330	Battery*	Economy battery for Versaflo™ TR-300 PAPR	damaged or no longer achieving desired run-time
TR-332	Battery*	High capacity battery for Versaflo™ TR-300 PAPR	damaged or no longer achieving desired run-time
TR-341N	Charger*	Single-bay charger kit for Versaflo™ TR-300 PAPR batteries	damaged, broken, or unable to charge battery
TR-344N	Charger*	4-bay charger kit for Versaflo™ TR-300 PAPR batteries	damaged, broken, or unable to charge battery
TR-3600	Prefilter*	Prefilter for Versaflo™ TR-300 PAPR for use with soft headtops (s-series)	damaged or clogged
TR-362	Spark Arrester/Prefilter*	Spark arrester/Prefilter for Versaflo™ TR-300 PAPR for use with rigid headtops (M-series, L-series, Speedglas)	damaged or unable to clean
TR-370	Filter Cover	Filter cover for Versaflo™ TR-300 PAPR	damaged or broken
TR-3710N	Filter	HE Filter for Versaflo™ TR-300 PAPR	damaged or when change is indicated by the PAPR low flow alarm
TR-970	Flow Indicator	Flow indicator for Versaflo™ TR-300 PAPR	damaged or broken
Accessories (* denotes alternative(s) available)			
BPK-01	Backpack*	Backpack for Versaflo™ TR-300 PAPR	damaged
TR-329	Suspenders*	Suspenders for use with any Versaflo™ belt	damaged

For More Information

In U.S.

Technical Assistance
Hours of Operation:

1-800-243-4630
8:00 a.m. – 4:30 p.m. CST

Customer Care Center
Hours of Operation:

1-800-328-1667
7:00 a.m. – 5:00 p.m. CST

Internet

3M.com/PPESafety
3M.com/Versaflo



General Offices
3M Center, Building 235-2W-70
St. Paul, MN 55144-1000

3M and Versaflo are trademarks of 3M Company, used under license in Canada. Please recycle. Printed in U.S.A. © 2012 3M. All Rights Reserved. 70-0716-2590-2



WARNING

These respirators help protect against certain airborne contaminants. Before use, the wearer must read and understand the User Instructions provided as a part of the product packaging. A written respiratory protection program must be implemented meeting all the requirements of OSHA 1910.134 including training, fit testing and medical evaluation. In Canada, CSA standards Z94.4 requirements must be met and/or requirements of the applicable jurisdiction, as appropriate. Misuse may result in sickness or death. For proper use, see packaging instructions, supervisor, or call 3M OH&ESD Technical Service in USA at 1-800-243-4630 and in Canada at 1-800-267-4414.

